

The following features are available in this PDF document.



Quick Keyword Search

Enter the keyword in the search box and hit the search button



Quick Jump between Chapters

Click the title of a specific chapter on the Contents to jump to it

*Reading software such as Adobe Reader is needed to support the functions above.



SMOOTH - Q3

User Guide

Contents

■ Product List	
Product List.....	1
■ Get to Know SMOOTH-Q3	
Get to Know SMOOTH-Q3.....	2
■ Battery Charging Instruction	
Battery Charging Instruction.....	3
■ Installation and Balance Adjustment	
Mounting the Phone.....	4
Balancing the Phone.....	8
Indicator Lights and Buttons Description.....	9
Stabilizer Mode Description.....	10
■ How to Use	
Switch Between Landscape Mode & Portrait Mode.....	14
Fill Light Adjustment.....	14
Manual Angle Lock.....	15
Standby Mode.....	15
■ How to Use the App	
Download the App.....	16
Connect with "ZY Cami" APP.....	16
Main App Features.....	17
■ Calibration and Firmware Upgrade	
When to Calibrate the Stabilizer.....	18
Auto-Calibration.....	18
Six-side Calibration.....	19

Motor Fine-Tuning21

SMOOTH-Q3 Firmware Upgrade21

■ Product Specifications

■ Disclaimer and Warnings

Reading Tips25

Warnings25

Safe Operation Guidelines26

■ Warranty Card

Warranty Period27

Warranty Exclusions27

Warranty Claim Procedure27

■ Contact Card

Product List

Before using this product, please check carefully that all the following items are included in the product package.

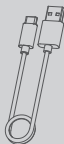
In case that any item is found missing, please contact ZHIYUN or your local selling agent.



SMOOTH-Q3 x 1



Tripod x 1



USB Type-C Cable x 1



Quick Start Guide x 1



Protective Bag x 1*



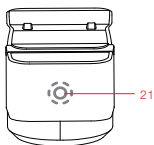
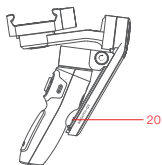
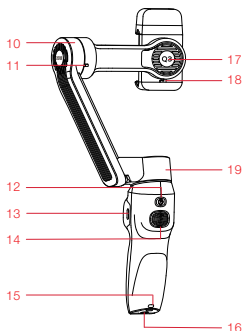
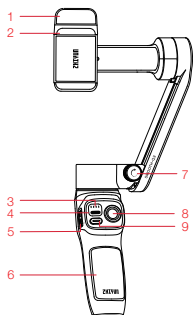
Wrist Strap x 1*



VIP Card x 1*

* Only in SMOOTH-Q3 Combo

Get to Know SMOOTH-Q3

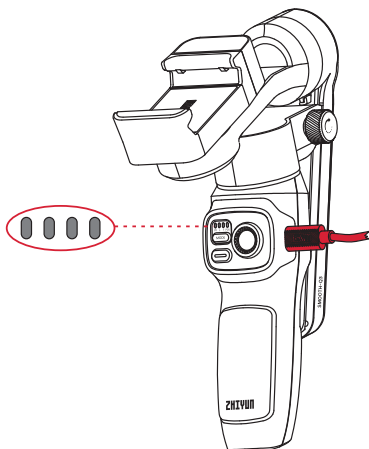


- 1.Fill Light
- 2.Phone Clamp
- 3.Indicator Lights
- 4.MODE Button
- 5.Zoom Rocker
- 6.Handle
- 7.Vertical Arm Screw
- 8.Joystick
- 9.Photo/Video
- 10.Tilt Axis Motor
- 11.Tilt Axis Fixing Buckle
- 12.Power Button
- 13.Type-C Charging/Firmware Update Port
- 14.Trigger Button
- 15.Wrist Strap Hole
- 16.1/4" Threaded Hole
- 17.Roll Axis Motor
- 18.Roll Axis Fixing Buckle
- 19.Pan Axis Motor
- 20.Contact Points
- 21.Fill Light Switch/Brightness Switch

Battery Charging Instruction

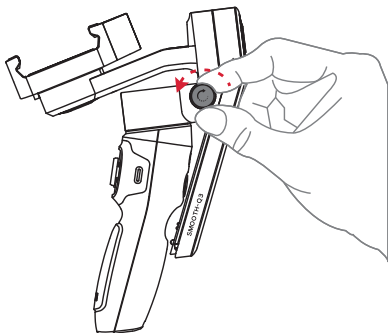
SMOOTH-Q3 is equipped with built-in battery. When using SMOOTH-Q3 for the first time, please fully charge the batteries to activate them and to ensure the proper function of the stabilizer.

Charging method: Use provided Type-C cable to connect the power adapter (not included in the package, 5V2A rated power adapter recommended) to the charging port on the stabilizer. The indicator lights will flash in green when charging. The four indicator lights on the stabilizer stay solid in green when charging is completed.

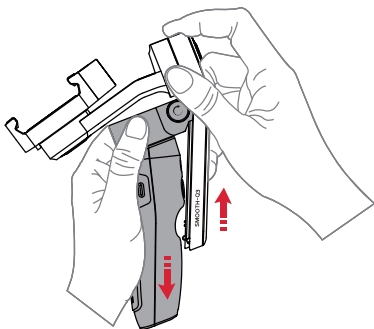


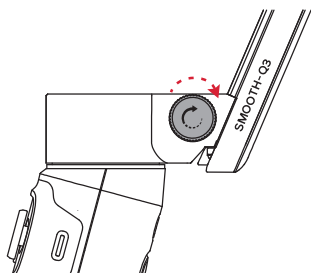
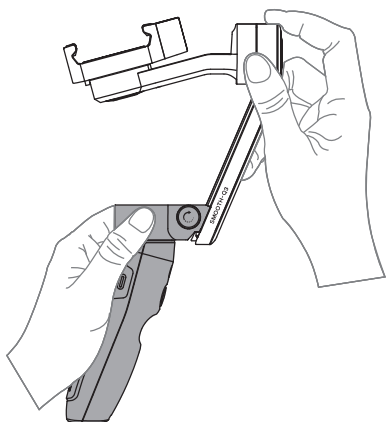
Mounting the Phone

1. Loosen the vertical arm screw counterclockwise.



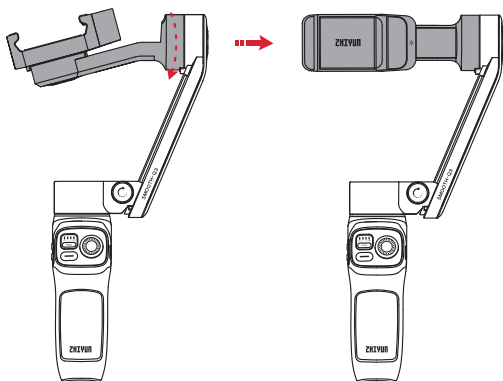
2. To ensure good contact with the contact points, pull the pan axis motor to the bottom of the vertical arm while holding the roll and pan axes motors until you hear a "click" sound. Tighten the vertical arm screw clockwise.






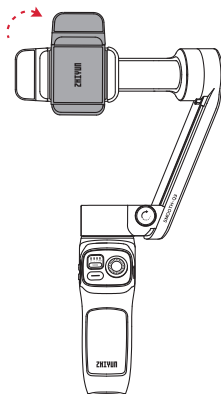
💡 The vertical arm cannot be completely locked by vertical arm screw. The screw is used to adjust the smoothness of the slide slot.

3. Rotate the tilt axis arm along the outer edge shown in the image.

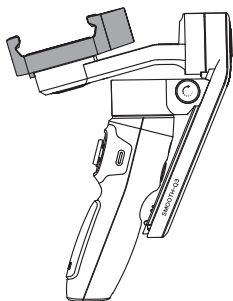


-  Please rotate in the correct direction shown in the image to prevent the fixing buckle of the tilt axis from damaging.

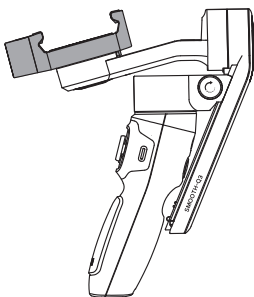
4. Rotate the phone clamp 90° clockwise to the position shown in the image. (The direction shown in the image is for when the phone clamp is tightened)



- When putting the stabilizer back into the box, please rotate the phone clamp to the storage state as shown in the image.

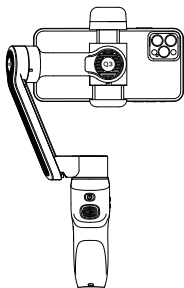
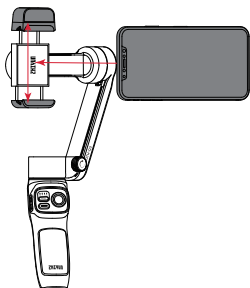


Storage state



Phone clamp tightened

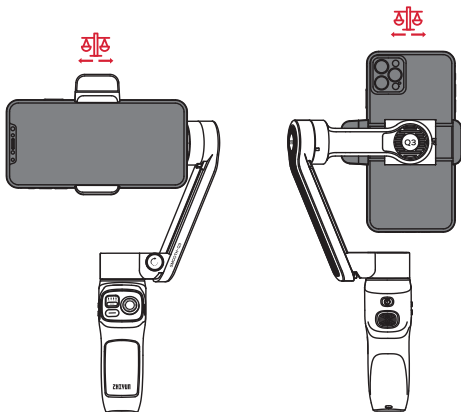
- There are fixing buckles for the tilt axis and the roll axis. Please rotate in the correct direction to prevent the fixing buckle from damaging.
- Extend the phone clamp and put the phone into the phone clamp. Make sure the phone camera is on the outer side of the clamp as shown in the image to avoid blocking the camera.



- SMOOTH-Q3 should have a smartphone mounted on and balanced before powering on. If no smartphones are mounted, the motor will make a sound and enter standby mode automatically.

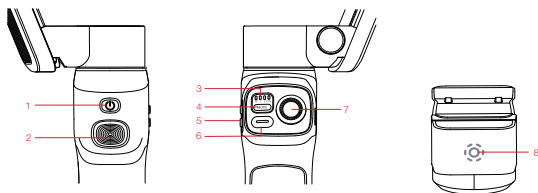
Balancing the Phone

When the phone is in landscape mode, adjust the position of the phone left or right until the phone is steady and is at almost level with the ground. When the phone is in portrait mode, move the phone clamp left or right until the phone is steady and is at almost level with the ground.



- ⚠ ① When mounting the smartphone, please make sure that the entire smartphone is fixed in the phone clamp firmly.
- ② The balanced state of the smartphone will affect the runtime of SMOOTH-Q3. SMOOTH-Q3 can work normally if unbalanced, but it will consume more battery power and weaken the motor strength.

Indicator Lights and Buttons Description

**① Power Button**

- Single press to check the battery level of the stabilizer
- Press and hold for 3 seconds to power on/off
- Press 8 times to reset Bluetooth

② Trigger Button

- Single press to turn on/off Smart Follow.
- Double press for reposition.
- Triple press to switch between Landscape Mode and Portrait Mode.
- Press and hold to enter PhoneGo Mode

③ Indicator Lights

- Stabilizer mode indicators: F light flashes when in PhoneGo mode. POV light flashes when in Vortex mode.
- In standby mode, the four indicator lights flash slowly.
- When failed to upgrade, the four indicator lights flash quickly.
- When upgrading, the four indicator lights flash one by one from left to right.
- When powered on, single press the power button to check the battery level.

One flashing green indicator light indicates that the battery level is at 0-25%.

Two flashing green indicator lights indicate that the battery level is at 25-50%.

Three flashing green indicator lights indicate that the battery level is at 50-75%.

Four flashing green indicator lights indicate that

the battery level is at 75-100%.

④ MODE Button

- Single press to switch stabilizer modes.
- Double press to go back to the previous mode.
- Press and hold to enter/exit standby mode.

⑤ Zoom Rocker

- In the ZY Cami application, toggle the lever up and down to control the zoom.

⑥ Photo/Video Button


- Press once while in Photo Mode in the ZY Cami app to take a picture.
- Press once while in Video Mode in the ZY Cami app to start/end a recording.
- Double press the button to switch between Photo and Video modes in the ZY Cami app.
- Triple press the button to switch between the front and rear cameras in the ZY Cami app.
- Press and hold to take multiple photos at one time (Controls the native phone camera, the phone should support camera control using the volume button) .

⑦ Joystick

- Push the joystick up and down, and left and right to control the stabilizer movement.

⑧ Fill Light Switch/Brightness Switch

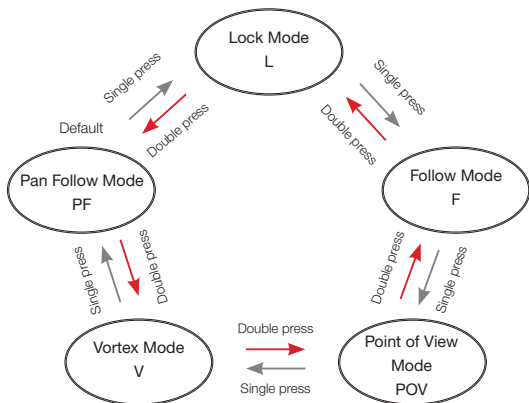
- When the device is powered on, single press to adjust brightness in three levels.
- Press and hold for 1.5s to turn on/off the fill light.

 **① Button combo:** If the Bluetooth cannot be found or failed to be connected, you can press and hold trigger button+MODE button+Photo/Video button at the same time for 2 seconds to reset Bluetooth.

② When connected via Bluetooth, the SMOOTH-Q3 is able to control the native phone camera without the ZY Cami app. This feature is available in phones which support camera control using the volume button. Bluetooth connection with the SMOOTH-Q3 does not require a password.

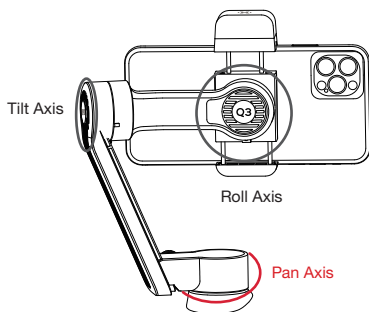
Stabilizer Mode Description

Single or double press the MODE button to switch between modes.



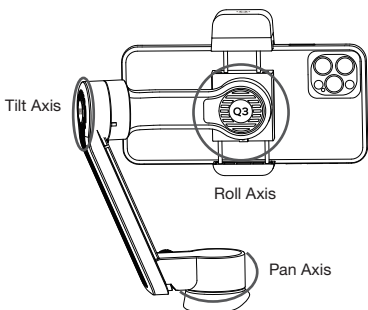
Pan Follow Mode (PF):

The tilt and roll axis motors are locked and the pan axis follows the movement of the stabilizer handle. Push the joystick up/down and left/right to control the tilt axis and pan axis.

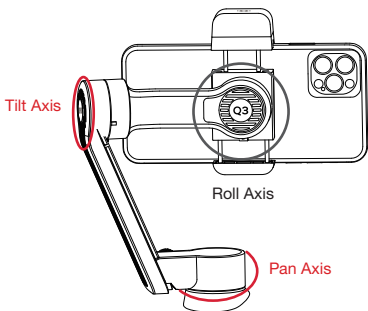


Lock Mode (L):

The three motors are all locked and won't follow the movement of the stabilizer handle. Push the joystick up/down and left/right to control the tilt axis and pan axis.

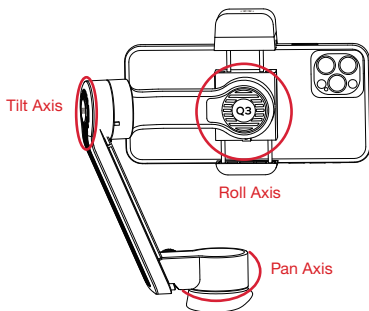
**Follow Mode (F):**

The roll axis motor is locked. The tilt axis and the pan axis motor follow the movement of the stabilizer handle. Push the joystick up/down and left/right to control the tilt axis and pan axis.

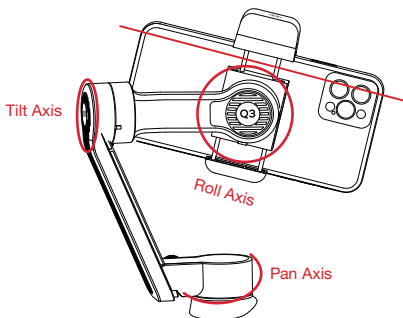


Point of View Mode (POV):

The three motors all follow the movement of the stabilizer handle. Push the joystick up/down and left/right to control the tilt axis and pan axis.

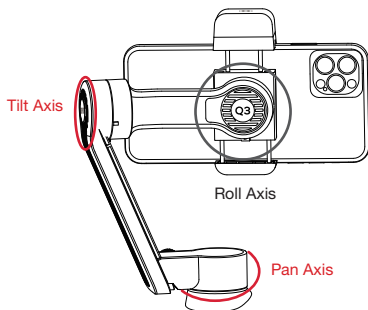
**Vortex Mode (V):**

The three motors all follow the movement of the stabilizer handle. Push the joystick up/down and left/right to control the roll axis and pan axis.



PhoneGo Mode (GO) Press and hold the trigger button

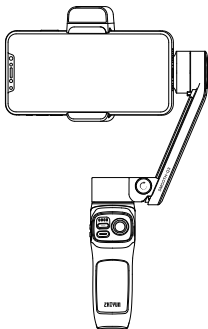
The camera pans and tilts following the movement of the stabilizer at fast speed while the roll axis is locked. Joystick will not function.



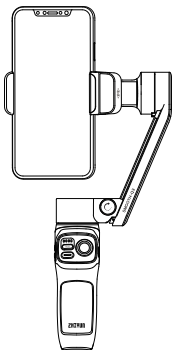
- 💡 Motors circled in red will follow the movement of the stabilizer, while motors circled in grey are locked.

Switch Between Landscape Mode & Portrait Mode

Triple press the trigger button.



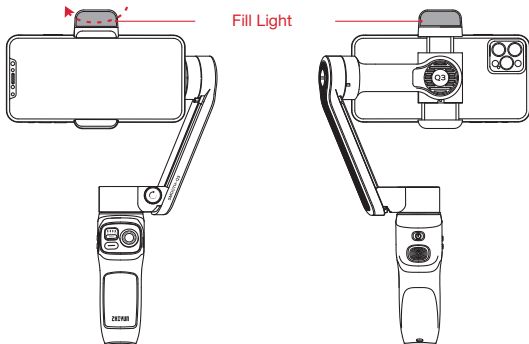
Landscape Mode



Portrait Mode

Fill Light Adjustment

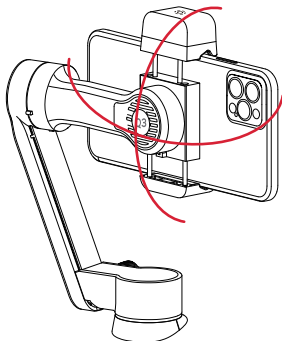
Rotate the fill light when needed. The maximum rotate angle is 180°.



- ① Please rotate in the correct direction.
- ② Adjust the brightness of the fill light according to the environment and avoid staring directly at the light.
- ③ Due to structure limitation, you are not able to use the fill light when you're using the front camera in the portrait mode.

Manual Angle Lock

Under pan follow mode, lock mode and follow mode, rotate the smartphone to a certain angle by hand for 2 seconds and release it. The smartphone will be fixed at that angle.



- 💡 Can only adjust the tilt axis and the pan axis. Please rotate the device with the proper amount of strength.

Standby Mode

- When the SMOOTH-Q3 stabilizer is powered on, rotate the roll axis or tilt axis manually to its fixing buckle. The SMOOTH-Q3 will then enter Standby Mode automatically. Unlock the fixing buckle of the roll axis and tilt axis to wake the SMOOTH-Q3.
- The SMOOTH-Q3 automatically enters Standby Mode if the vertical arm is retracted and the contact points are separated when the device is on. When the vertical arm is extended and there is contact with the contact points, the SMOOTH-Q3 will resume operation.

Download the App

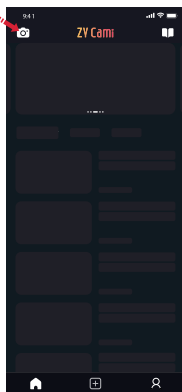
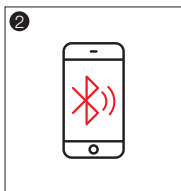
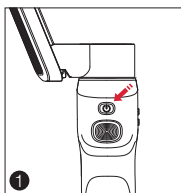


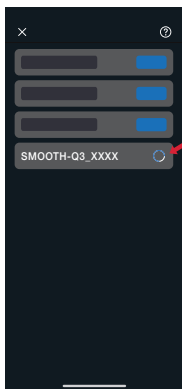
Scan the QR code on the left (Android 7.0 and above or iOS 10.0 and above) or search "ZY Cami" in the App Store or Google Play to download the app.

- ① Users can make better use of the various functions of the SMOOTH-Q3 with the dedicated "ZY Cami" app.
- ② ZY Cami is subject to updates without notice. Please always refer to the latest version.

Connect with "ZY Cami" APP

1. Power on SMOOTH-Q3 and turn on Bluetooth on the smartphone.
2. Launch the "ZY Cami" app. Tap the icon in the upper left corner in the home screen to open the device list and select the SMOOTH-Q3 device you wish to connect (the SMOOTH-Q3 Bluetooth name can be checked on the side of the tilt axis USER ID: XXXX).
3. Activation on the ZY Cami app is required if the SMOOTH-Q3 is being used for the first time. Otherwise you're not able to use the advanced features in ZY Cami. Internet connection is required.
4. After the activation succeeds, you can enter the camera interface of ZY Cami App.






4



5

Main App Features



 For more feature introductions of ZY Cami App, please visit the official website of ZHIYUN (www.zhiyun-tech.com) and check the video tutorials of SMOOTH-Q3.

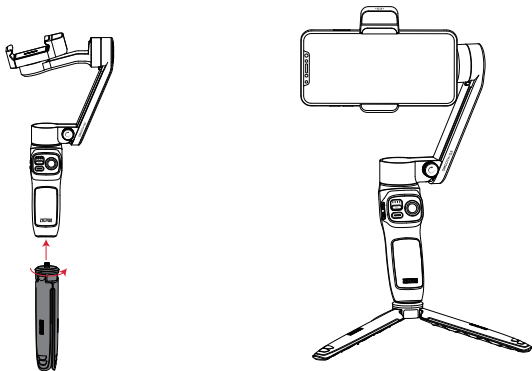
When to Calibrate the Stabilizer


Please calibrate the stabilizer when necessary.

Calibration Reason	How to calibrate
<ol style="list-style-type: none"> 1. A slight deviation is found in the tilt angle of the smartphone in level position after power-on. 2. A slight deviation is found in the roll angle of the smartphone in level position after power-on. 3. Frequent small angle correction is found when the smartphone is in a level position when the stabilizer stays still. 	Stabilizer auto-calibration
<ol style="list-style-type: none"> 1. A slight deviation is found in the level position after the auto-calibration of the stabilizer. 2. The stabilizer has not been used for a long time. 3. The stabilizer has undergone a significant temperature difference. 	Six-side calibration

Auto-Calibration

1. Install SMOOTH-Q3 onto the tripod and connect to the ZY Cami App.
2. Go to the settings of the app and select "auto-calibration". The SMOOTH-Q3 will enter the calibration automatically. You can check the progress at the prompt of the app.

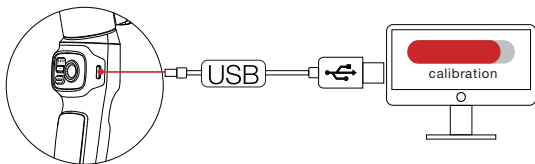


 Before the calibration, please make sure the stabilizer is straightly put on a flat surface. Please don't touch the stabilizer when in calibration.

Six-side Calibration

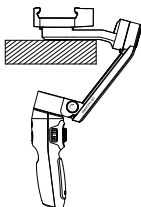
Use "Zhiyun Gimbal Tools" for six-side calibration.

1. Visit the official website of ZHIYUN (www.zhiyun-tech.com), go to the corresponding product page, click "Download", download the calibration upgrade tool and the USB drive and install.
2. Connect SMOOTH-Q3 to the computer.
3. Power on SMOOTH-Q3 and enter standby mode.
4. Open "Zhiyun Gimbal Tools", click "Open" and click "IMU Calibration". Follow the prompt to place SMOOTH-Q3 correctly for calibration.

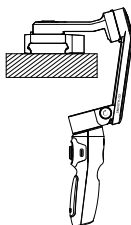


- ① Please refer to the six-side calibration steps below. After the calibration is completed, please restart the stabilizer.
In simple terms, six-side calibration is to place all six sides of the phone clamp in vertical to a level surface respectively.

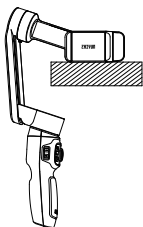
STEP 1



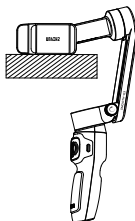
STEP 2



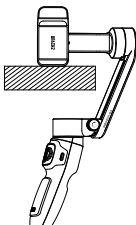
STEP 3



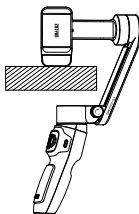
STEP 4



STEP 5



STEP 6



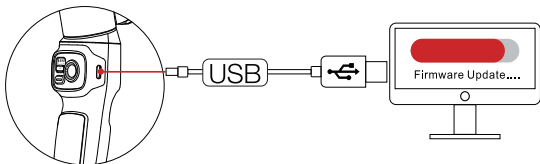
SMOOTH-Q3 Firmware Upgrade

You can use "Zhiyun Gimbal Tools" or "ZY Cami" App to upgrade the firmware of SMOOTH-Q3.

- 💡 When upgrading the firmware, extend the SMOOTH-Q3 to ensure that there is good contact with the contact points before performing the upgrade.

Method One:

1. Visit the official website of ZHIYUN (www.zhiyun-tech.com) , go to the corresponding product page, click "Download", download the firmware and unzip. Download the calibration upgrade tool and the USB drive and install.
2. Connect SMOOTH-Q3 to the computer.
3. Power on SMOOTH-Q3 and enter standby mode.
4. Open "Zhiyun Gimbal Tools", click "Open", click "Firmware Upgrade". Click "Browse" under "Path" to select the latest firmware downloaded (with the ".ptz" file extension), and click "Upgrade" at the bottom to upgrade firmware. When the firmware update completes, the SMOOTH-Q3 stabilizer will be turned off.



Method Two:

Connect the SMOOTH-Q3 stabilizer to the ZY Cami App. If the app prompts you to upgrade the firmware, please tap to proceed with the operation. Internet connection is required for the upgrade.

- 💡 Before upgrading the firmware, please ensure that the SMOOTH-Q3 stabilizer has more than 50% power remaining. You will not be able to exit the app interface or access the back-end during the upgrading process. Pay attention to the prompts on the app.

Product model: SM113

	Min.	Standard	Max.	Remark
Operation Voltage	6.5V	7.4V	8.4V	
Operation Current	70mA	-	2500mA	
Charging Voltage	4.5V	5V	5.5V	
Charging Current	-	-	1200mA	
Following Deviation in Static State	$\pm 0.01^\circ$	-	$\pm 0.04^\circ$	
Following Deviation in Motion State	$\pm 0.05^\circ$	$\pm 0.1^\circ$	$\pm 0.3^\circ$	
Tilt Mechanical Range	-260°	-	80°	
Roll Mechanical Range	-170°	-	170°	
Pan Mechanical Range	-150°	-	150°	
Operation Temperature	-10°C	25°C	45°C	
Charging Temperature	0°C	25°C	40°C	
Battery Capacity	-	1300mAh	-	
Battery Runtime	-	7h	15h	Lab Data ¹
Charging Time	-	3h	-	Lab Data ²
Valid Payload	150g	-	280g	
Mounting Clamp Supporting Range	55mm	-	90mm	
Smartphone Thickness			7mm~10mm	
Bluetooth			Bluetooth 4.2	
Equivalent isotropically radiated power(EIRP)			<3dBm	
Operation Frequency			2.402GHz~2.480GHz	
Compatible Models	Smartphones that their width is within the holder's capable width.			

"Lab Data 1": The above data is collected under the below conditions: a specified temperature of 25°C ; the stabilizer has been balanced and mounted with an iPhone XR. The test time under the active state is 7 hours. The test time under standby state is 15 hours.

"Lab Data 2": This test is conducted with a 5V/2A rated power adapter at a specified temperature of 25 °C . The actual charging time varies with environmental factors. Besides, the lower the temperature, the longer the charging time. All the data in this guide is gathered from internal experiments of ZHIYUN laboratories. Under different scenarios, data is different to some extent. Please refer to the actual use of SMOOTH-Q3.

Thank you for purchasing SMOOTH-Q3. The information contains herein affects your safety, legitimate rights and obligation. Please read this instruction carefully to ensure proper configuration before use. Failure to read and follow this instruction and warnings herein may result in serious injury to you or bystanders, or damage to your device or property. Guilin Zhishen Information Technology Co., Ltd (hereinafter referred to as "ZHIYUN") reserves all rights for final explanation on this instruction and other documents related to SMOOTH-Q3. The information is subject to update without notice. Please visit www.zhiyun-tech.com to obtain the latest product information.

By using this product, you hereby signify that you have read this document carefully and that you understand and agree to abide by the terms and conditions herein. You agree that you are solely responsible for your own conduct while using this product, and for any consequences thereof. You agree to use this product only for purposes that are proper and in accordance with all terms, precautions, practices, policies and guidelines ZHIYUN has made and may make available.

ZHIYUN accepts no liability for damage, injury or any legal responsibility incurred directly or indirectly from the use of this product. Users shall observe safe and lawful practices including, but not limited to, those set forth herein.

ZHIYUN™ is the trademark of Guilin Zhishen Information Technology Co., Ltd and its affiliates. All product names or trademarks referred to herein are trademarks or registered trademarks of their respective holders.

Reading Tips

Legends:



Hints and Tips



Important

Warnings

Read the ENTIRE User Guide to become familiar with the features of this product before operating. Failure to operate the product correctly can result in damage to the product or personal property and cause serious injury.

This is a sophisticated product. It must be operated with caution and common sense and requires some basic mechanical ability. Failure to operate this product in a safe and responsible manner could result in injury or damage to the product or other property. This product is not intended for use by children without direct adult supervision.

DO NOT use with incompatible components or in any way otherwise as mentioned or instructed in the product documents provided by ZHIYUN. The safety guidelines herein contain instructions for safety, operation and maintenance. It is essential to read and follow all of the instructions and warnings in the User Guide, prior to assembly, setup or use, in order to operate the product correctly and avoid damage or serious injury.

Safe Operation Guidelines

WARNING:

1. Never allow the product to come into contact with any liquid. Never immerse the product in water or make it get wet. Never use the product in the rain or a humid environment. Corrosion reaction may occur when the interior of the product is exposed to water, which may cause the battery to ignite spontaneously and may even cause an explosion.
2. If the product catches fire, please use water or water mist, sand, fire blanket, dry powder, carbon dioxide fire extinguisher immediately to put out the fire. Please choose the method according to the actual situation.
3. Please use the product in an environment with a temperature between -10°C and 45°C .
4. It is forbidden to disassemble the product in any way. If the battery is pierced during disassembly, it will cause the electrolyte inside the battery to leak or even cause fire or explosion.
5. Mechanical impact, rolling, or throwing of the product is prohibited. Do not place heavy objects on the product.
6. Do not heat the product. Do not place the product in a microwave oven or pressure cooker.
7. It is forbidden to place the product near a heat source (stove or heater, etc.) or inside the car in hot weather. Do not store the product in an environment above 45°C . The ideal temperature of storage is 22°C to 28°C .
8. Do not store the battery for a long time after it is completely discharged to avoid the battery entering the over-discharged state and causing damage to the battery cell, and it will not be able to resume use.

BE CAREFUL:

1. SMOOTH-Q3 is a high-precision control device. Damage may be caused to SMOOTH-Q3 if dropped or subject to external force, and this may result in malfunction.
2. Make sure the rotation of the stabilizer axes is not blocked by external force when SMOOTH-Q3 is turned on.
3. SMOOTH-Q3 is not waterproof. Prevent contacts of any kind of liquid or cleaner with the SMOOTH-Q3. It is recommended to use dry cloth for cleaning.
4. Protect SMOOTH-Q3 from dust and sand during use.

CAUTION:

1. After the charging is complete, disconnect the product from the charger.
2. If you do not use the product for more than 10 days, please charge/discharge the battery to 40%-65% and store it to extend the battery life.
3. Recharge and discharge every 3 months to keep the battery active.
4. Keep the handle stable when powering on the SMOOTH-Q3. Shakiness during power-on may fail to start.

Warranty Period

1. Customers are entitled to replacement or free repair service in case of quality deficits found in the product within 15 days upon receipt of the product.
2. Customers are entitled to free repair service from ZHIYUN for any product proven defective in material or workmanship that results in product failure during normal consumer usage and conditions within the valid warranty period, which is 12 months counting from the date of selling. However, warranty period varies by product component and country of purchase. Please contact our after-sales service team on ZHIYUN official website or your place of purchase for detailed warranty information.

Warranty Exclusions

1. Products subjected to unauthorized repair, misuse, collision, neglect, mishandling, soaking, accident, and unauthorized alteration.
2. Products subjected to improper use or whose labels or security tags have been torn off or altered.
3. Products whose warranty has expired.
4. Products damaged due to force majeure, such as fire, flood, lightning, etc.

Warranty Claim Procedure

1. If failure or any problem occurs to your product after purchase, please contact a local agent for assistance, or you can always contact ZHIYUN's customer service through email at info@zhiyun-tech.com or website at www.zhiyun-tech.com.
2. Your local agent or ZHIYUN's customer service will guide you through the whole service procedure regarding any product issue or problem you have encountered. ZHIYUN reserves the right to reexamine damaged or returned products.

Customer Information

Customer Name:

Phone Number:

Address:

Sales Information

Sales date:

Product Serial Number:

Distributor Name:

Distributor's Contact Number:

First Maintenance Record

Service Date:

Repairman Signature:

Cause of Problem:

Service Result:

 Solved Unsolved Refunded/Replaced



Website



Weibo



Vimeo



Google+



Facebook
(Zhiyun Support)



Facebook
(Zhiyun Tech)



Youku



Youtube



Wechat



Instagram

Tel: +86 400 900 6868

USA Hotline: +1 808-319-6137,9:00-18:00 GMT-7,Mon-Fri

Europe Hotline: +49 (0) 61018132180,10:00-17:00 GMT+1,Mon-Fri

Web: www.zhiyun-tech.com

E-mail: info@zhiyun-tech.com

Address: 09 Huangtong Road, Tieshan Industrial Zone, Qixing District, Guilin, 541004, Guangxi, China

Certificate of Quality

This product is confirmed to meet quality standards and permitted for sale after strict inspection.

QC Inspector: _____



For full product information, please visit ZHIYUN's official website: Content on www.zhiyun-tech.com is subject to update without notice.

ZHIYUN™ is a trademark of ZHISHEN

All product names or brands referred to hereunder may be trademarks or registered trademarks of their respective holders.

Copyright © 2021 ZHISHEN. All rights reserved.

ZHIYUN-TECH.COM